



**Technical Service
BULLETIN**

May 11, 2007

Title:

**WATER LEAK AT HEADLINER
OR FLOOR AREA**

Models:

'05 – '07 Avalon, '07 Camry, & '04 – '07 Solara

REVISÉD
B0005-07
BODY

TSB REVISION NOTICE:

- June 1, 2007: 2005 – 2007 model year Avalon and 2004 – 2007 model year Solara vehicles have been added to Applicable Vehicles.
- Previous versions of this TSB should be discarded.

Introduction Some customers may experience a water leak condition in the headliner or possibly the foot well area. This condition may be the result of one or more moon roof drain hoses becoming loose or disconnected from a moon roof drain pan nipple. The following procedure describes the repair method to correct this condition.

- Applicable Vehicles**
- 2004 – 2007 model year **Solara** vehicles (all grade levels).
 - 2005 – 2007 model year **Avalon** vehicles (all grade levels).
 - 2007 model year **Camry** vehicles (all grade levels).

Parts Information

PREVIOUS PART NUMBER	CURRENT PART NUMBER	PART NAME	QTY
N/A	90467-14001	Clamp	4

NOTE:

Install one clamp on each of the 4 drain hoses.

Required Tools and Material

TOOLS & MATERIALS	QUANTITY
Miscellaneous Hand Tools	As needed

Warranty Information

OP CODE	DESCRIPTION	TIME	OFFP	T1	T2
BD7028	R & R Headliner and Add Retainer Clamps (4) to Drain Hose	1.5	63249-06050	62	40

Applicable Warranty*:

This repair is covered under the Toyota Comprehensive Warranty. This warranty is in effect for 36 months or 36,000 miles, whichever occurs first, from the vehicle's in-service date.

* Warranty application is limited to correction of a problem based upon a customer's specific complaint.

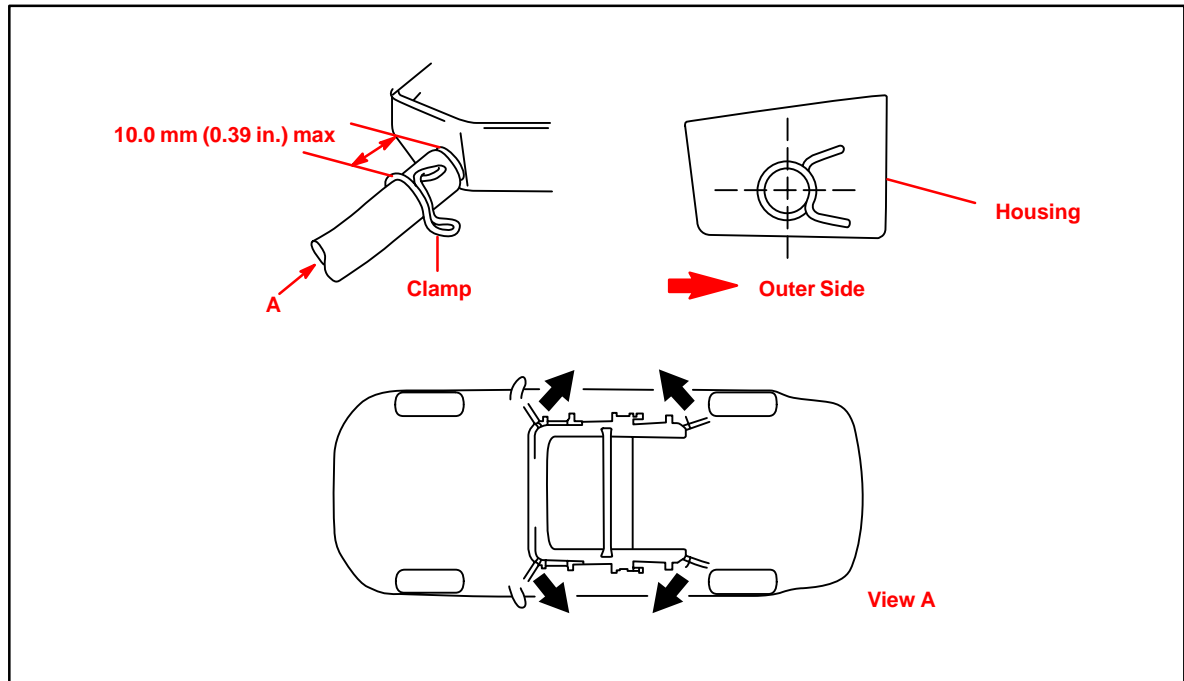


Repair Procedure

1. Remove the headliner.
2. Remove all 4 drain hoses from the drain pan nipples.
3. Install the drain hose clamps as shown in the diagram:

NOTE:

When installing the drain hoses, the 4 clamps **MUST** face toward the outside of the vehicle and also be above the lower surface of the sliding roof housing.



4. Water test the vehicle to confirm that there are no leaks from the drain hoses.
5. Reinstall the headliner.
6. Road test the vehicle to confirm that there are no wind noise issues from the moon roof area.